

Static Grounding Reels

FOR REFUELING OR HAZARDOUS AREAS

• Aircraft Refueling • Chemical Plants • Grain Elevators • Rescue and HazMat Operations

- These reels bond and/or ground aircraft, fuel trucks and other equipment.
- Provide smooth operation and require minimum cable pull.
- Declutching arbor and adjustable guide arm with cable guide.
- Optional stainless steel construction of spool, frame & ratchet system available on HGR series.
- Standard finish is oven-cured enamel.
- Also available, manual rewind version. All shown with optional cable and/or "Y" branch.

WARNING
 These Reels are for Static Grounding ONLY
 NOT intended for lightning protection!



Model HGR 50
 (shown with optional "Y" branch)



Model SS HGR 50
 Optional unpolished stainless steel HGR 50



Model HGR100



Model MHGR 50



Model GR 75



Model MGR 75



Optional Grounding Jack
 per MIL-C-8341D/4
 Part No. 9951.0033



Optional Browne Clamp
 Part No. 9951.0031

HGR/GR

STATIC GROUNDING REELS

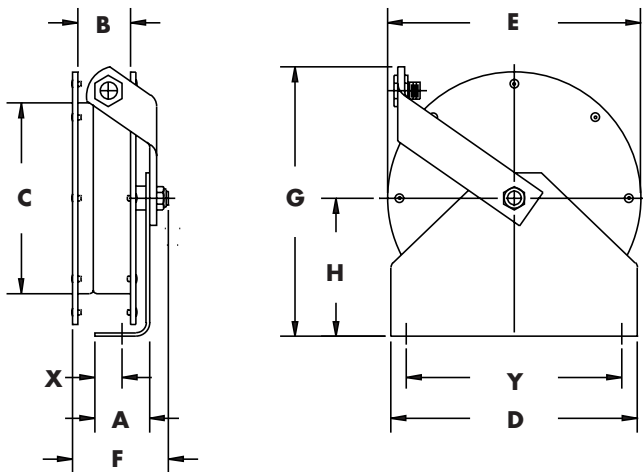
- Available with 1/8", 7x19 galvanized carbon steel cable
- 100 amp Alligator Clamp.
- Stainless steel or plastic-covered cable and "Y" branches are available at an additional charge.
- Cable guide arm of cast aluminum and 2A+12 Alum Zinc Alloy.

Series GR75

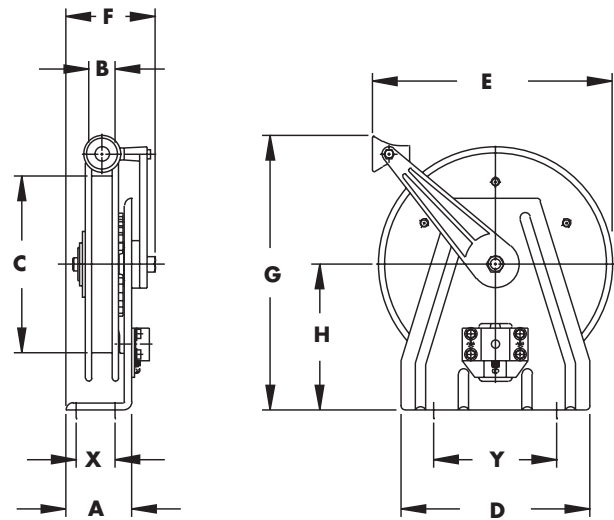
- Sealed spring is a good economical choice compact and lightweight.

Series HGR

- A non-sparking ratchet assembly.
- Reels are repairable and parts are readily available.



Model GR75/MGR75
GR75 Shown



Models HGR50/HGR100/MHGR50
HGR Shown

Parts Drawing: HGR Series – ISO 10

| Model Number | Cable Capacity of Reel feet m. | Approx. Weight lb. kg | | Reel Dimensions inches mm | | | | | | | | | |
|--------------|--------------------------------------|-----------------------------|------------|---------------------------------|------|-------|------|-------|------|-------|------|------|------|
| | | Without cable | With cable | A | B | C | D | E | F | G | H | X | Y |
| GR 75 | 75 | 11 | 14 | 2 | 2 | 7 | 9 | 9.25 | 3.5 | 9.88 | 5.06 | 1 | 7.88 |
| | 23 | 5 | 6 | 51 | 51 | 178 | 229 | 235 | 89 | 251 | 129 | 25 | 200 |
| MGR 75 | 100 | 11 | 13 | 2 | 2 | 7 | 9 | 9.25 | 5.25 | 9.88 | 5.06 | 1 | 7.88 |
| | 30 | 5 | 6 | 51 | 51 | 178 | 229 | 235 | 133 | 251 | 129 | 25 | 200 |
| HGR 50 | 75 | 28 | 30 | 4 | 1.25 | 10.75 | 11.5 | 14.25 | 5.5 | 16.75 | 8.88 | 2.38 | 7.5 |
| | 23 | 13 | 14 | 102 | 32 | 273 | 292 | 362 | 159 | 425 | 226 | 60 | 191 |
| MHGR 50 | 200 | 18 | 20 | 4 | 1.25 | 10.75 | 11.5 | 14.25 | 6.25 | 16.75 | 8.88 | 2.38 | 7.5 |
| | 61 | 8 | 9 | 102 | 32 | 273 | 292 | 362 | 159 | 425 | 226 | 60 | 191 |
| HGR 100 | 100 | 37 | 40 | 4 | 1.25 | 13.25 | 11.5 | 16.75 | 5.5 | 17.75 | 8.88 | 2.38 | 7.5 |
| | 30 | 17 | 18 | 102 | 32 | 337 | 292 | 425 | 140 | 451 | 226 | 60 | 191 |

To Order (Specify all items listed):

- Gauge, length, O.D., and coating if required
- Specify "Y" branch if required
- Finish if other than standard
- Complete model number

Reels can be shipped as a parcel package (via FedEx or UPS ground).



553 State Route 143
Westerlo, NY 12193-0159
Telephone 518-797-3791
Toll Free 1-877-GO REELS (467-3357)
FAX 1-800-REELING (733-5464) USA
FAX 1-518-797-3259 (International)
Website: www.hannay.com
E-mail: reels@hannay.com

107078, Russia, Moscow, Novaya
Basmannaya, 23, str. 1A Tel.: +7(499)
277-15-16
+7(495) 661-94-24
E-mail: msk@petropump.ru Web:
www.petropump.ru