

Hannay's floater reel is especially designed for off-shore or shallow harbor operations.

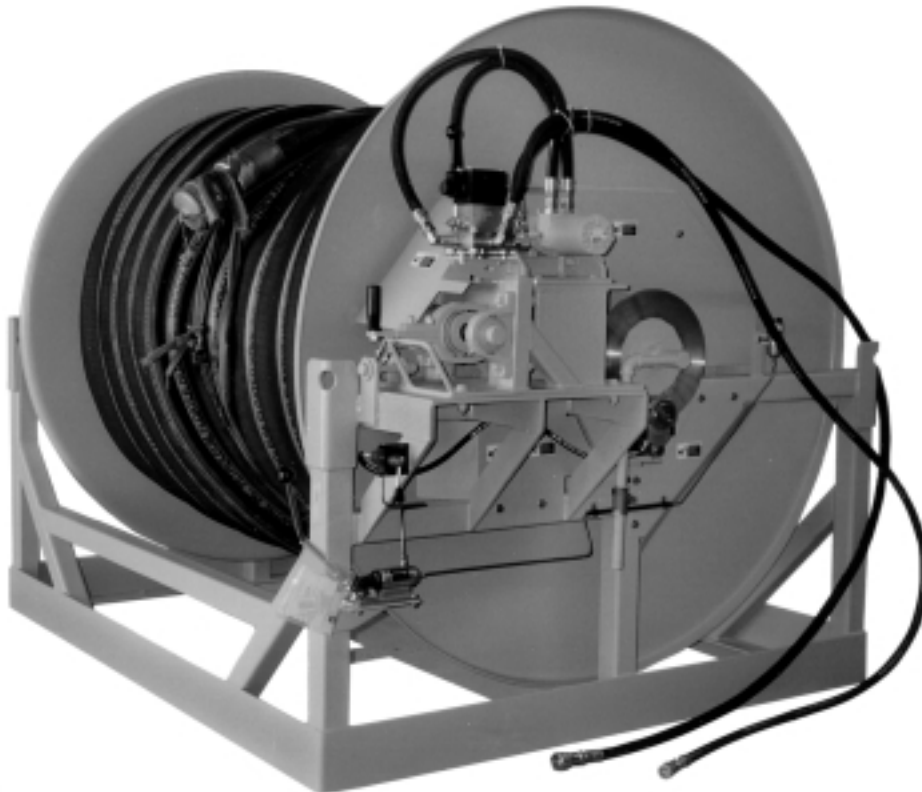
Hannay's floater reels efficiently handle floater hose from either ship to shore or from the shore to a ship. These ruggedly constructed reels will capably handle all off-shore or shallow harbor operations efficiently, with perfect reliability time after time. Hannay has produced hundreds of floater reels and all continue to perform flawlessly.

Floater reels are made to our usual stringent standards. They are constructed with 3-inch square tubing frames; the frame is gusseted at all stress points with 2-inch square tubing. Heavy-duty 1/4-inch plate rolled discs with large rolled edges prevent hose scuffing. The drum of the reel is an open pipe spacer design to prevent entrapment of dirt and debris eliminating corrosion. Each drum is designed to properly ensure the correct diameter of the

bending radius for the size of hose required. All reels are equipped with heavy-duty lubricated bearings.

A chain and sprocket rewind is standard on all floater reels. You may also specify either an air, electric, or hydraulic rewind motor. These all come with suitable gear reductions and a clutch for maximum efficiency to handle 3-, 4-, 6-, 8-, or 10-inch hose. The chain and sprocket rewind is constructed from #50 chain and #50 chain sprockets.

All floater reels are equipped with standard components, such as four heavy-duty lifting eyes, a 3/4-inch air evacuation drain, a positive heavy-duty pin lock, hydraulic caliper disc brake, and a cam and groove male hose or flange connection, whichever is preferred for quick installation and release of the hose.

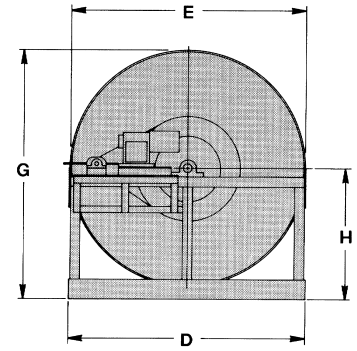
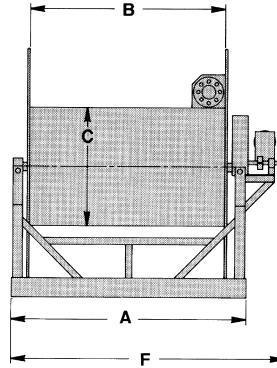
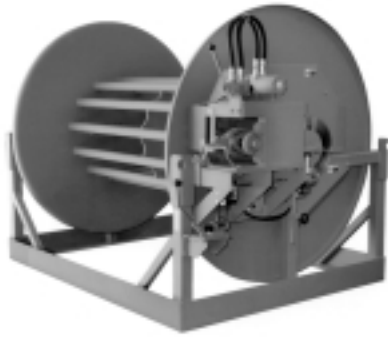


- Use Hannay Floater Reels for:
- Off-shore crude oil operations
 - Transferring oil from boat to barge
 - Ship to shore oil transport

FLOATER REELS

Series

FLLOATER REELS



HOSE CAPACITY IN FEET (ONE CONTINUOUS LENGTH)					MODEL NUMBER	REEL DIMENSIONS IN INCHES E, F AND G ARE OVERALL DIMENSIONS								
I.D.	3"	4"	6"	8"		10"	A	B	C	D	E	F	G	H
FLAT DIM.	1-3/4 x 5	2 x 6-1/2	3 x 10	3-1/2 x 12		3-1/2 x 14								
	250					C350-45-49-20	49	36	20	45-1/2	45	60	49	26-1/2
	350					C362-45-49-20	61	48	20	45-1/2	45	72	49	26-1/2
	500					C356-56-60-24	55	42	24	56-1/2	56	66	60	32
	750					C370-56-60-24	69	56	24	56-1/2	56	80	60	32
	1000					C380-62-66-30	79	66	30	62-1/2	62	90	66	35
	200					C456-56-60-36	55	42	36	56-1/2	56	66	60	32
	400					C480-56-60-36	79	66	36	56-1/2	56	90	60	32
	500					C480-62-66-36	79	66	36	62-1/2	62	90	66	35
	650					C480-66-70-36	79	66	36	66-1/2	66	90	70	37
	750					C480-72-76-36	79	66	36	72-1/2	72	90	76	40
	1000					C486-72-76-36	85	72	36	72-1/2	72	96	76	40
	1500					C486-84-88-36	85	72	36	84-1/2	84	96	88	46
	200					C666-72-76-48	65	52	48	72-1/2	72	76	76	40
	350					C674-84-88-48	73	60	48	84-1/2	84	84	88	46
	500					C686-84-88-48	85	72	48	84-1/2	84	96	88	46
	650					C686-90-94-48	85	72	48	90-1/2	90	96	94	49
	750					C6108-90-94-48	107	94	48	90-1/2	90	118	94	49
	900					C6118-90-94-48	117	104	48	90-1/2	90	128	94	49
					500	C898-90-94-48	97	84	48	90-1/2	90	108	94	49
					650	C8124-90-94-48	123	110	48	90-1/2	90	134	94	49
					900	C8148-90-94-48	147	134	48	90-1/2	90	158	94	49
					500	C10114-90-94-48	113	100	48	90-1/2	90	124	94	49

Consult factory for approximate weights.

To Order (specify all items listed):

- Specify complete model number.
Include prefix E for electric rewind motor,
A for air, HD for hydraulic.
- Indicate hose size: I.D., flat dimension,
and length of hose.
- Type of hose connection.
- Type of rewind: electric, air or hydraulic.
- If required:
 - Type of switching.



Hannay Reels, Inc., 553 State Route 143
Westerlo, NY 12193-0159
Telephone 518-797-3791
Toll Free 1-877-GO-REELS (467-3357)
FAX 1-800-REELING (733-5464)
INT'L FAX (518) 797-3259
Website: www.hannay.com
E-mail: reels@hannay.com